

MONSARAZ FORTIFICATIONS WEST AND SOUTH BARBICAN PATH 2016 - 2021

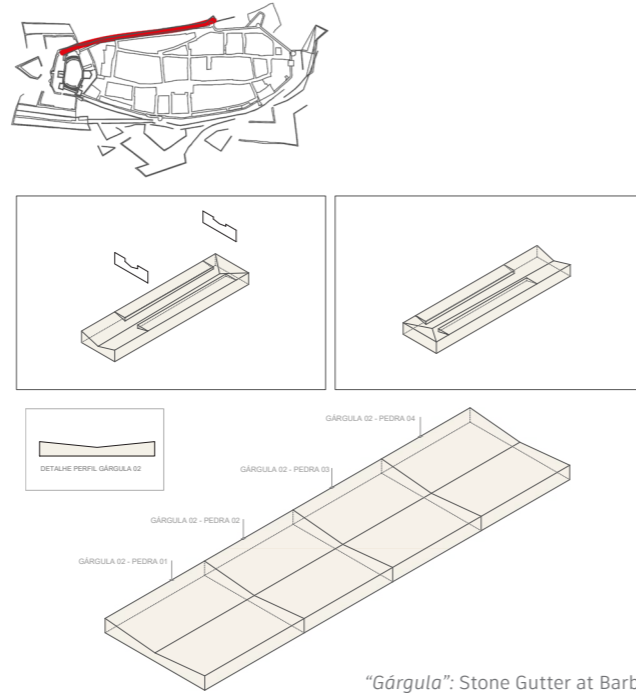
Category: A - Built Heritage Code: 06A001339

Barbican Path

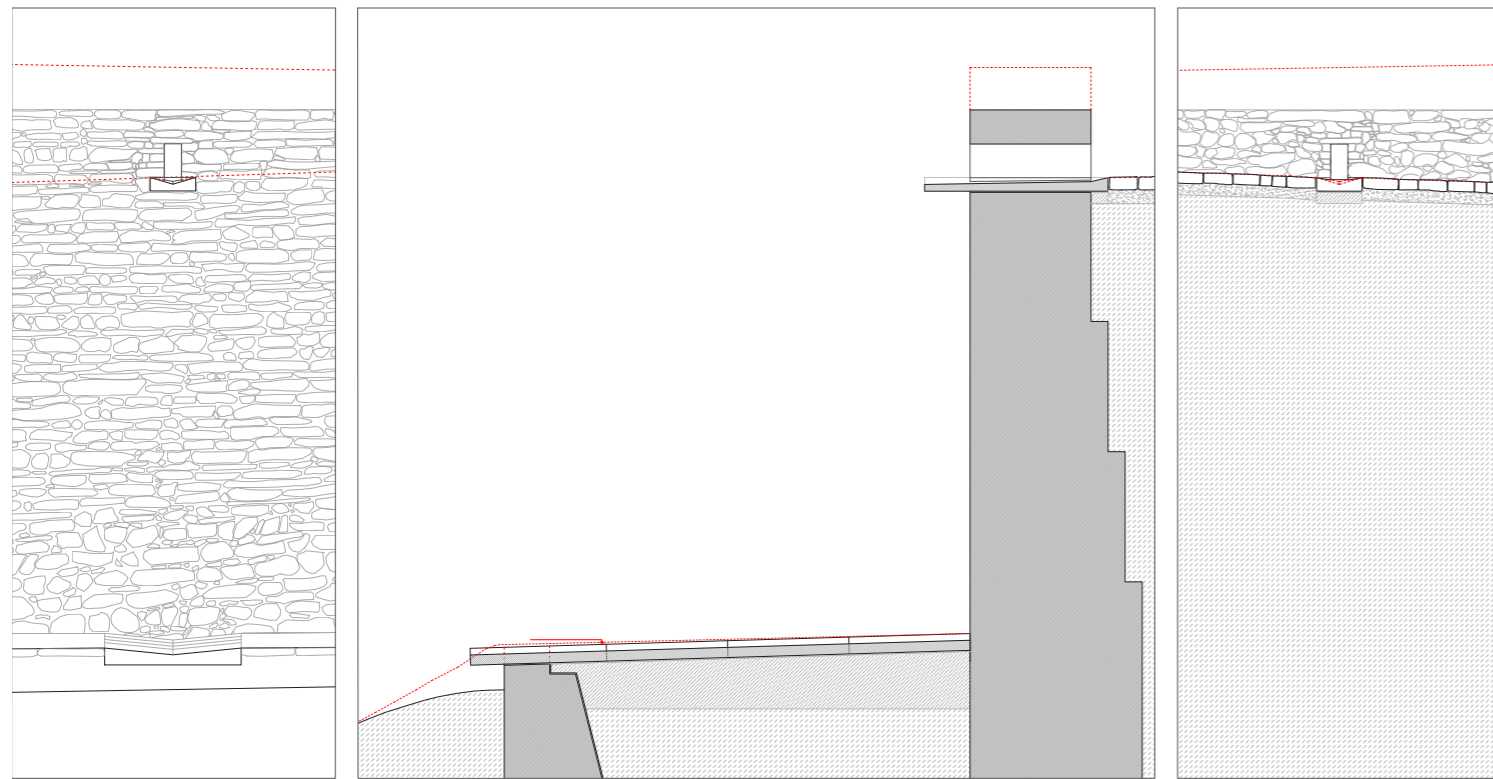
The Barbican path, as a significant part of the defensive system of Monsaraz, defines a perimeter route outside the walls, between the village gate, to the east and the gate of Évora to the west.

The redefinition of the Barbican path along the curtained escarpment seeks to stabilize its old route and restore the continuity of transition between the territory, the extraordinary cultural landscape to the west and the walled town of Monsaraz. The restoration of this route in traditional schist paving, allows to consolidate the transition between the vertical plane of the wall, in apparent schist masonry, and the horizontal plane defined by the path and the rocky escarpment where the village of Monsaraz is located.

The schist pavements of Monsaraz are one of its hallmarks and also represent a complex system for the conduction of rainwater, based on the structure of guides that draw the water's path. All the specific interventions now proposed for the floors of Monsaraz seek to continue this system, optimizing the flow of water to the outside of the walls. As is the case with the Restoration of the wall section of the roundabout.



"Gárgula": Stone Gutter at Barbican Path



Sections (Above) and Plan (Below) of the pavement and "Gárgula" / Stone Gutter at Barbican Path



Barbican Path previous to project. 2016 © PP



Barbican Path. 2021 © PP



Barbican Path previous to project. 2016 © PP



Barbican Path. 2021 © AC



Barbican Path. 2021 © AC